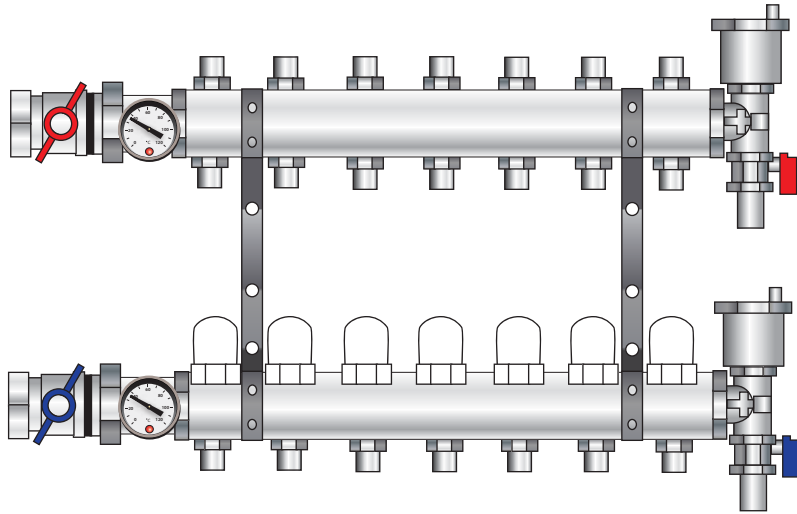


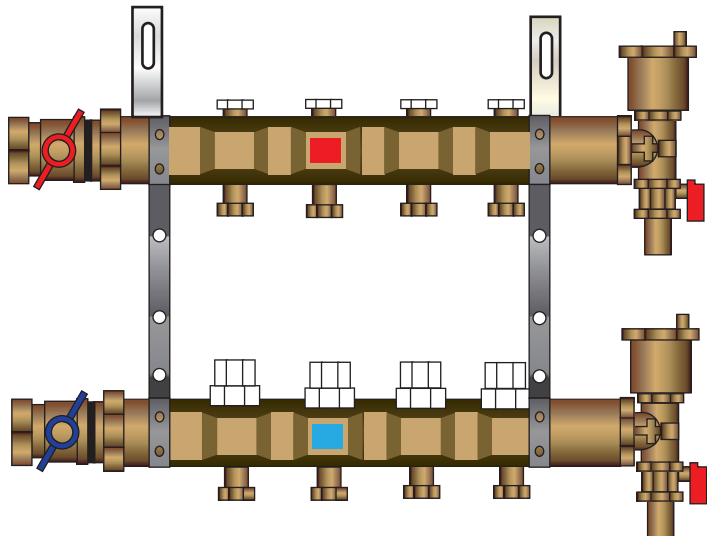
PARTS DIAGRAM

in Stock Large Manifold Assembly



Wasser Products Inc. is a leading water pump, indoor boiler, pipe, and fittings distributor in North America's expanding hydronic industry. At our company, we strive to develop, produce and sell choice parts and heating systems to contribute to our customers' good quality of life. The staff at Wasser Products Inc. is dedicated to providing you with excellent service in the most efficient and reliable way possible.

It is our company's goal to be constantly improving our pumps, boilers, pipe, and fittings products and processes that we may better benefit our customers. Excellence, quality and dependability are key factors at Wasser Products Inc. whether concerning our solutions, our production, or our product delivery.



We want our customer services to be increasingly scrupulous and attentive to the needs of our customers, delivering services, consulting and technical support developed specifically to meet their needs.

We aim to guarantee that energy and raw materials are used sparingly, respecting the environment we live in as far as possible.

We are committed to working in compliance with the law and all regulations in force, as well as supporting ethically correct behaviour that does not compromise the moral and professional reliability of our company.

Complete manifold sets are conveniently packages for you under one product. The set includes supply and return manifolds, balancing valves, ball valves, and temperature gauges.

Available in:

1" Manifolds
2-9 loop

1-1/4" Manifolds
9-16 Loop

Pre-assembled manifold consisting of return distribution manifold complete with built-in shut-off valves suitable for thermo-electric actuator and supply distribution manifold complete with proportional flow micrometric balancing valves.

Available in:

1" Manifold:
3;4;6;8;10 Loop

1-1/4" Manifold
12 Loop